

ELAN

SOLAR FESTOON CAGE LIGHTS (SET OF 10)

USER GUIDE



Ensure your solar panel is South facing or as near as possible



Clean your solar panel from time to time



Do NOT place your solar panel in shaded areas.



Do NOT charge behind glass

Thank you for choosing the Elan Solar Festoon Cage Lights. Please read these instructions carefully before using your light.

Important notes

Always take care when installing your light. If you are at all unsure, please contact your retailer or a professional trades person for advice.

Installation

Remove all packaging and put to one side. Please carefully consider where you wish to install your light before making alterations to your property. It's particularly important that the solar panel receives as much sunlight as possible. Ensure that it is not obstructed by buildings, fences, trees, sheds, etc, or the shadows that these create. **If the solar panel is installed in a poor location, it may not perform to the best of its ability.**

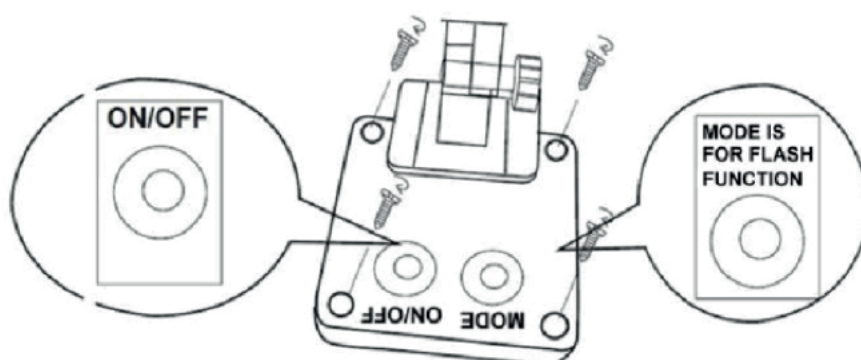
To maximise the battery capacity, the lights should be charged in direct sunlight for at least 8 hours, where possible, before being used for the first time. Failure to do so can shorten the battery life or performance of the light.

The lights will turn ON/OFF automatically when left in the on position. Please note it is completely normal for the lights to come on at different times as it depends on how fast they charge in their location.

How to Use

1. Charge the solar panel by placing it under direct sunlight for up to 3 days. You can do this whilst the light is set to the OFF position to give the battery a full charge. After 3 days, set to the 'ON' position.
2. The light will automatically charge under direct sunlight during the day time and illuminate at night.
3. To switch into the flashing mode, set the switch to the 'ON' position and press the 'MODE' button.

Note: In order to verify that the switch is correctly in the 'ON' position you will need to cover the solar panel to imitate night time.



Battery Information

If the product does not illuminate properly after 8-12 months of use, replace the rechargeable batteries as they may be weak or worn out. The battery you will need is 1 pc AA, 1.2v 600Mah, Ni-MH rechargeable. To replace the batteries, please follow the instructions below:

1. Unscrew the battery compartment cover by using a Phillips head screwdriver (not included).
2. Remove the exhausted battery and install 1 pc new AA rechargeable battery according to the +/- polarity image. Open the compartment carefully and ensure that welding wires inside the battery terminals are not damaged.
3. Replace battery compartment cover, screw it back into position and make sure it is properly sealed.

Troubleshooting

Please ensure that there are no nearby light sources shining on the solar panel after dark. These could be bright indoor/outdoor lights from your property or neighbours, or street lights.

If you are unsure, take the light inside and test it in a dark room.

If you are encountering any problems with your light often you can resolve this yourself by following our troubleshooting guide. If the light has its solar panel in a poor location it will struggle to work, but that doesn't mean there is a fault with the unit. Please remember that the light will arrive with some charge and will likely work for a few days even if the solar panel is poorly located. Please try the troubleshooting tips below before contacting your retailer.

Recharge Procedure

1. Double check the location of your solar panel to ensure it is in a clear location and as South facing as possible.
2. Turn the light off at the switch and leave it to recharge for 3-5 days ensuring one sunny day has passed.
3. After 3-5 days return to the light and turn it back on at the switch.
4. If your light still does not illuminate after dark, please contact your retailer.

Maintenance

Clean the surface of the solar panel and light lens with a soft, slightly moistened cloth. Do not use corrosive cleansing agents or chemical solutions as these may damage surfaces and impair operation. Keep the solar panel free of dirt, debris and snow.

Safety Instructions

The Solar Centre assumes no liability for any damage resulting from the use of this product, nor do we assume liability for any damage to property or personal injury caused by improper use or failure to observe these instructions.

Unauthorised conversion and/or modification of the unit may be dangerous and will invalidate your warranty. To avoid damage to sight, do not look directly at the light source. This device is not a toy and should be kept out of reach of children. Do not submerge the device in water or expose it to extreme temperatures (less than -25°C or higher than 50°C).

ELAN SOLAR FESTOON CAGE LIGHTS - SET OF 10

MODEL NUMBER: SC2226

SOLARCENRE®
44-46 COLDHARBOUR LANE
HARPENDEN
HERTFORDSHIRE
AL5 4UN

WWW.SOLARCENRE.CO.UK

